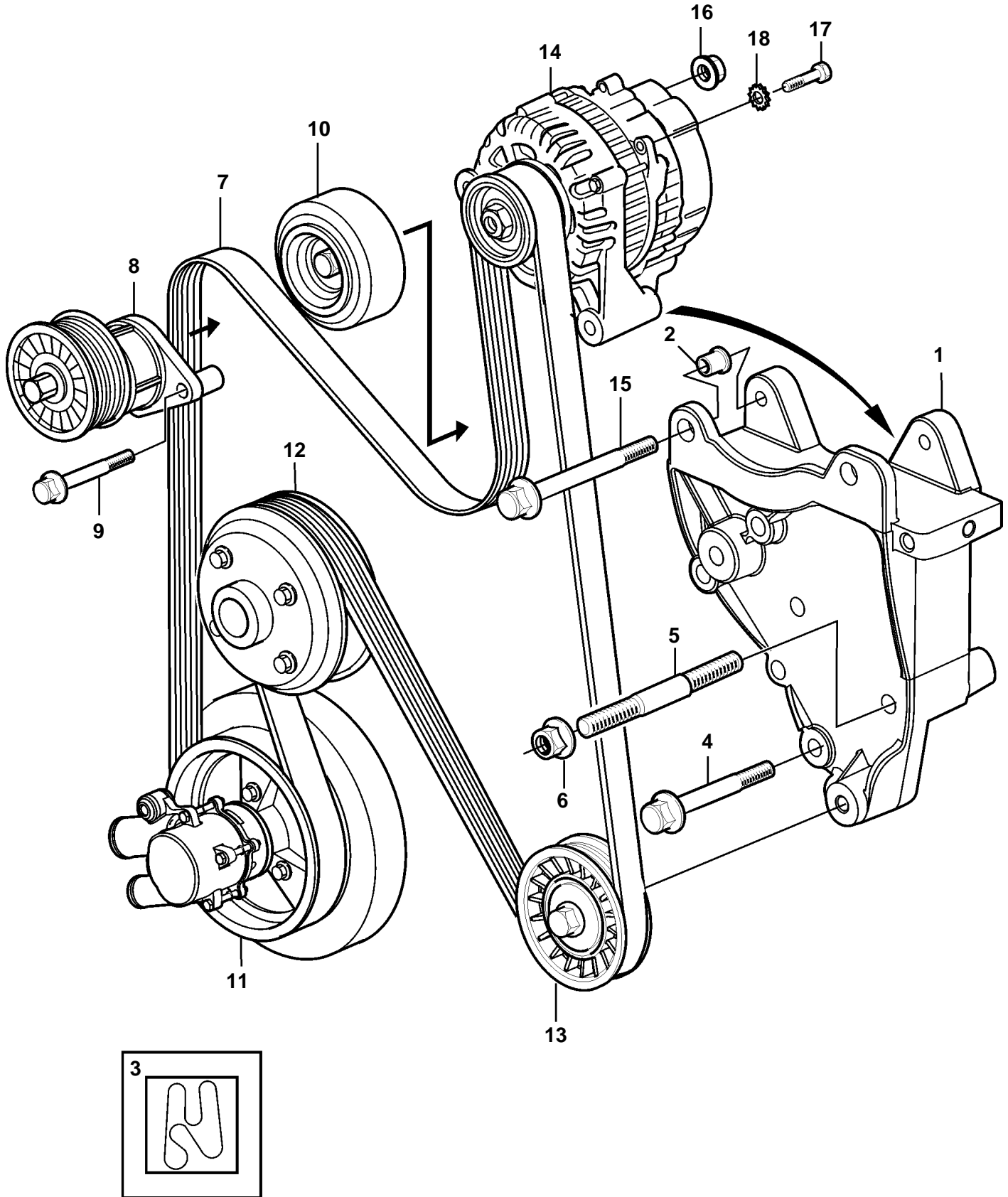


8.1GiI-G, 8.1GXil-F



## 8.1Gil-G, 8.1GXil-F

REF	PART NO.	QTY	DESCRIPTION
1	3819033	1	Bracket
2	3863175	2	· Bushing
3	3863274	1	Decal
4	3861016	3	Screw
5	3843813	1	Stud
6	971098	1	Flange lock nut
7	3817291	1	Drive belt
8	3587858	1	Belt tensioner
9	965187	2	Screw
10	3861009	1	Pulley
11		1	Pumpsea water
12		1	Pulleycirculation pump
13	3860201	1	Pulley
14	3862665	1	Alternator
15	947790	2	Flange screw
16	945408	1	Flange nut
17	3852208	1	Screw
18	3852520	1	Washer